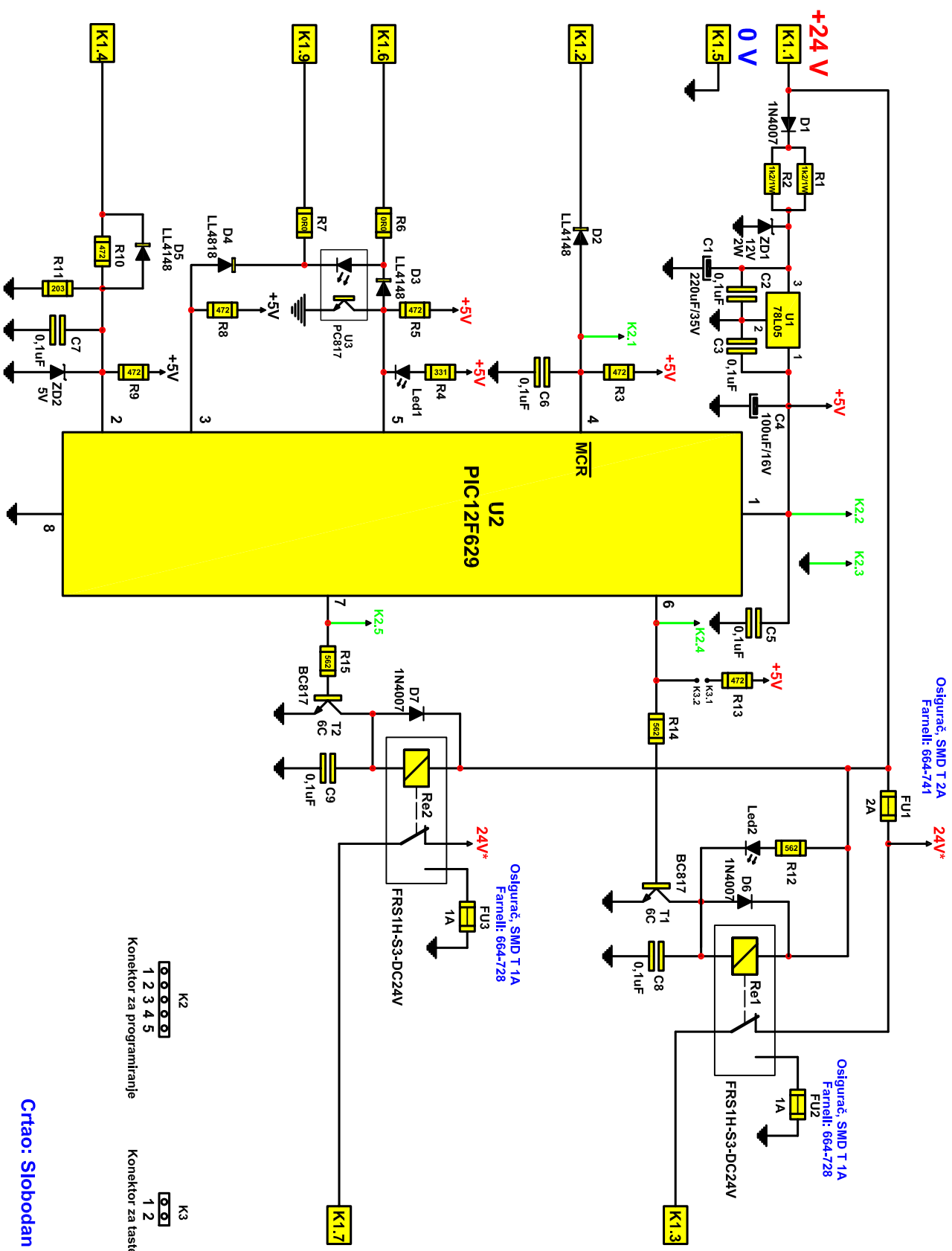


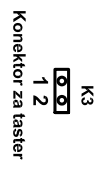
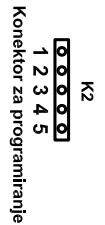
"Uredjaj za resetovanje Crne kutije"



Osigurač, SMD T 2A
Farneil: 664-741

Osigurač, SMD T 1A
Farneil: 664-728

Osigurač, SMD T 1A
Farneil: 664-728



Crtao: Slobodan Ivanov

R.br.	Oznaka na šemi	Komponenta	Vrednost ili oznaka	Kućiče	Napomena
1	R1	Otpornik	1k2/1W		moгуća zamena 122 SMD2512
2	R2	Otpornik	1k2/1W		moгуća zamena 122 SMD2512
3	R3	Otpornik	472	SMD 1206	
4	R4	Otpornik	331	SMD 1206	
5	R5	Otpornik	472	SMD 1206	
6	R6	Otpornik	0	SMD 1206	
7	R7	Otpornik	0	SMD 1206	
8	R8	Otpornik	472	SMD 1206	
9	R9	Otpornik	472	SMD 1206	
10	R10	Otpornik	472	SMD 1206	
11	R11	Otpornik	203	SMD 1206	
12	R12	Otpornik	5K6/0,25W		
13	R13	Otpornik	472	SMD 1206	
14	R14	Otpornik	562	SMD 1206	
15	R15	Otpornik	562	SMD 1206	
16	C1	Kondenzator	Elektrolit rad. 220uF/35V		
17	C2	Kondenzator	0.1uF/63V	SMD 1206	
18	C3	Kondenzator	0.1uF/63V	SMD0805	
19	C4	Kondenzator	Elektrolit rad. 100uF/16V		
20	C5	Kondenzator	0.1uF/63V	SMD0805	
21	C6	Kondenzator	0.1uF/63V	SMD0805	
22	C7	Kondenzator	0.1uF/63V	SMD0805	
23	C8	Kondenzator	0.1uF/63V	SMD 1206	
24	C9	Kondenzator	0.1uF/63V	SMD 1206	
25	D1	Dioda	1N4007	DO41	moгуća zamena S1M, 1A 1000V, SMA
26	D2	Dioda	LL4148	SMD	
27	D3	Dioda	LL4148	SMD	
28	D4	Dioda	LL4148	SMD	
29	D5	Dioda	LL4148	SMD	
30	D6	Dioda	1N4007	DO41	moгуća zamena S1M, 1A 1000V, SMA
31	D7	Dioda	1N4007	DO41	moгуća zamena S1M, 1A 1000V, SMA
32	ZD1	Zener dioda	ZY12 12V 2W	DO41	
33	ZD2	Zener dioda	BZV55C 5V1	SOD80	
34	Led1	Led dioda zelena 3mm	LED3Z L934GD		
35	Led2	Led dioda zuta 3mm	LED3Ž L934YD		
36	Rel1	Elektrom. Rele	FRS1H-S3-DC24V		
37	Rel2	Elektrom. Rele	FRS1H-S3-DC24V		
38	U1	Naponski regulator	78L05	TO-92	
39	U2	Mikrokontroler	PIC12F629	PDIP	
40	U3	Optokapler	PC817B	DIL-4	zamena PC817S1
41	T1	Tranzistor	BC817-40	SOT23	
42	T2	Tranzistor	BC817-40	SOT23	
43	K1	Konektor	DSUB09 MU, ugaoni za print montažu		
44	K2	Konektor	Letvica, za džampere, 5 pina, RM2.54		
45	K3	Konektor	Letvica, za džampere, 2 pina, RM2.54		
46	FU1	Osigurač SMD	2A/24V SMD		664-741 FARNELL
47	FU2	Osigurač SMD	1A/24V SMD		664-728 FARNELL
48	FU3	Osigurač SMD	1A/24V SMD		664-728 FARNELL